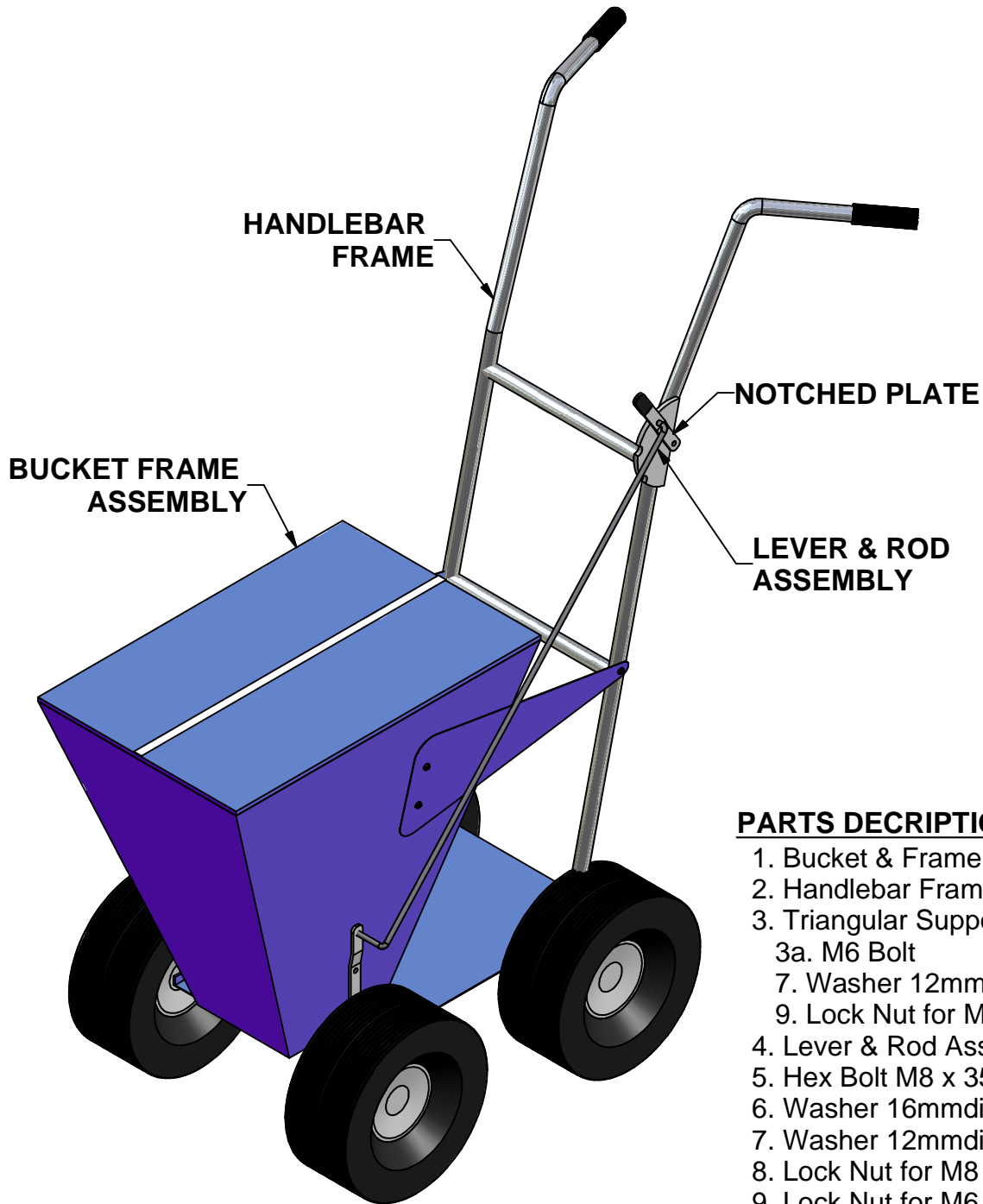


FM-100 HD/50 HD DRY LINE MARKER



PARTS DECIPTIONS

	QTY
1. Bucket & Frame Assembly	1
2. Handlebar Frame	1
3. Triangular Support	1
3a. M6 Bolt	4
7. Washer 12mmdia for M6 bolt	8
9. Lock Nut for M6 Bolt	4
4. Lever & Rod Assembly	1
5. Hex Bolt M8 x 35mm	4
6. Washer 16mmdia for M8 Bolt	8
7. Washer 12mmdia for M6 Bolt	2
8. Lock Nut for M8 Bolt	4
9. Lock Nut for M6 Bolt	2
10. Screw M4 x 10mm	1
11. Forelock	1
12. Notched Plate	1
13. Spring	1

REV.	DESCRIPTION	DATE	BY

FM-100 HD/50 HD DRY LINE MARKER

COPYRIGHT 2006
JAYPRO SPORTS, LLC.
ALL RIGHTS RESERVED

THIS PRINT IS THE PROPERTY OF JAYPRO SPORTS, LLC.
AND MAY NOT BE REPRODUCED WITHOUT WRITTEN PERMISSION

www.jaypro.com



FAX:
800.444.1779 (SALES)
860.440.0628 (ENG.)

PHONE:
800.243.0533 (TOLL FREE)
860.447.3001 (LOCAL)

JAYPRO SPORTS, LLC, 976 HARTFORD TURNPIKE, WATERFORD, CT 06385 USA

DRAWING NAME / PART NUMBER: FM-100 HD/50 HD LINE MARKER	
DRAWN BY: DC	ISSUE DATE: 6/12/2006
CHK'D BY: BTS	
SHEET: 1 OF 1	REV. A

NUMBER.

WORKER ASSEMBLY

DUPLICATE DATE:

6/12/2006

V.

A